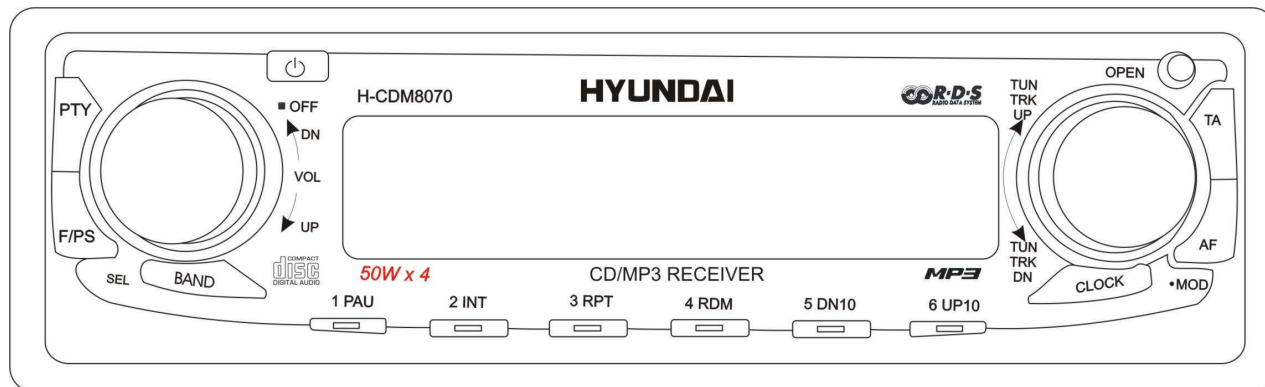


HYUNDAI

H- CDM8070



CD/MP3-RECEIVER
Instruction manual

CD/MP3-РЕСИВЕР
Руководство по эксплуатации

Dear customer!

Thank you for purchasing our product. For safety, it is strongly recommended to read this manual carefully before connecting, operating and/or adjusting the product and keep the manual for reference in the future.

Table of contents

Table of contents	2
Important safeguards	3
Installation/Connections	4
Panel controls.....	8
Menu Function.....	10
MP3 Play back	16
MP3 Overview	17
Anti-Theft System.....	18
Handling compact discs.....	19
Cleaning.....	19
Components	20
Troubleshooting guide.....	21
Specification	22

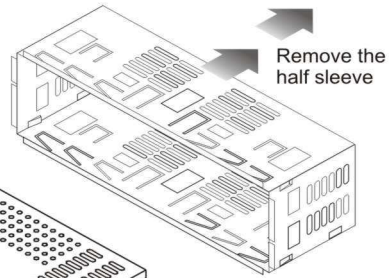
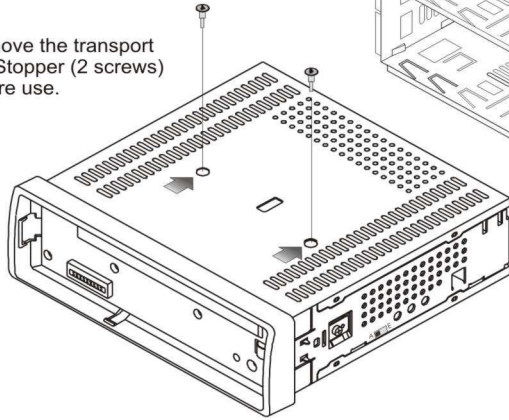
Important safeguards

- Read carefully through this manual to familiarize yourself with this high-quality sound system.
- Use only in a 12-volt DC negative-ground electrical system.
- Disconnect the vehicle's negative battery terminal while mounting and connecting the unit.
- When replacing the fuse, be sure to use one with an identical amperage rating. Using a fuse with a higher amperage rating may cause serious damage to the unit.
- DO NOT attempt to disassemble the unit.
- Make sure that pins or other foreign objects do not get inside the unit; they may cause malfunctions, or create safety hazards such as electrical shock or laser beam exposure.
- If you have parked the car for a long time in hot or cold weather, wait until the temperature in the car becomes normal before operating the unit.
- Keep the volume at a level at which you can hear outside warning sounds (horns sirens, etc.).
- DO NOT open covers and do not repair yourself. Consult the dealer or an experienced technician for help.
- Make sure you disconnect the power supply and aerial if you will not be using the system for a long period or during a thunderstorm.
- Make sure you disconnect the power supply if the system appears to be working incorrectly, is making an unusual sound, has a strange smell, has smoke emitting from it or liquids have got inside it. Have a qualified technician check the system.
- Stop the car before performing any complicated operation.
- The unit is only designed for use with 4 speakers. Do not combine output for use with 2 speakers. Do not ground negative speaker leads to the chassis ground.
- Do not install the unit in place where it is exposed to direct sunlight (including the faceplate), in order to avoid high heat.
- The faceplate is a precision piece of equipment that contains sensitive electronic components. Do not subject it to excessive shock.
- Be careful not to drop or shock the unit strongly, it may break or crack because it contain glass parts.
- When extending the ignition, memory backup or ground cable, use diameter of 0.75mm or more automotive grade cable to avoid wire deterioration or damage to the wire coating

Installation/Connections

IMPORTANT

Remove the transport
CD Stopper (2 screws)
before use.

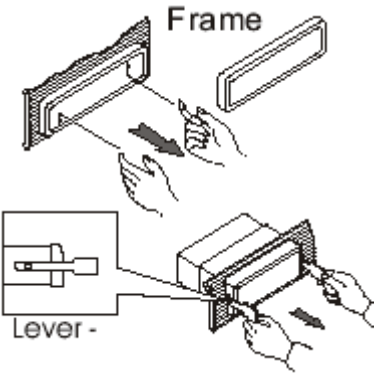
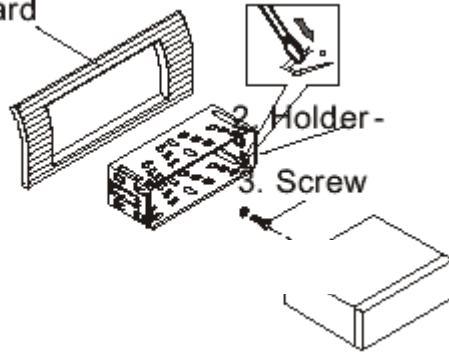


Remove the
half sleeve

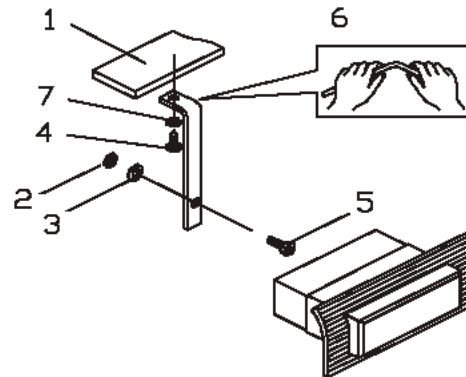
Din front-mount (method 1)

- After inserting the holder into the dashboard, select the appropriate tab and bend them inwards to secure to the place
- Insert fingers into the groove in the front of frame and remove it.
- Insert the levers supplied with the unit to the grooves at both sides. The unit can be installed or removed from the dashboard.

1. Dashboard



1. Dashboard
2. Nut (5mm)
3. Spring washer
4. Screw (5 x 25mm)
5. Screw
6. Strap
7. Plain washer



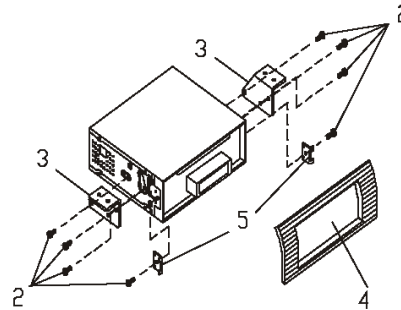
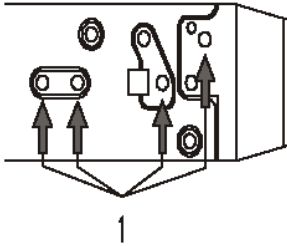
Din rear-mount (method 2)

Installation using the screw holes at both sides of the unit.

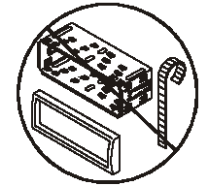
1. Select a position where the screw holes of the main unit are fitted for aligned, and tighten the screws at 2 positions at each sides.

Use either truss screws (5 x 8mm) or flush surface screws (4 x 8mm), depending on the shape of the screw holes in the bracket.

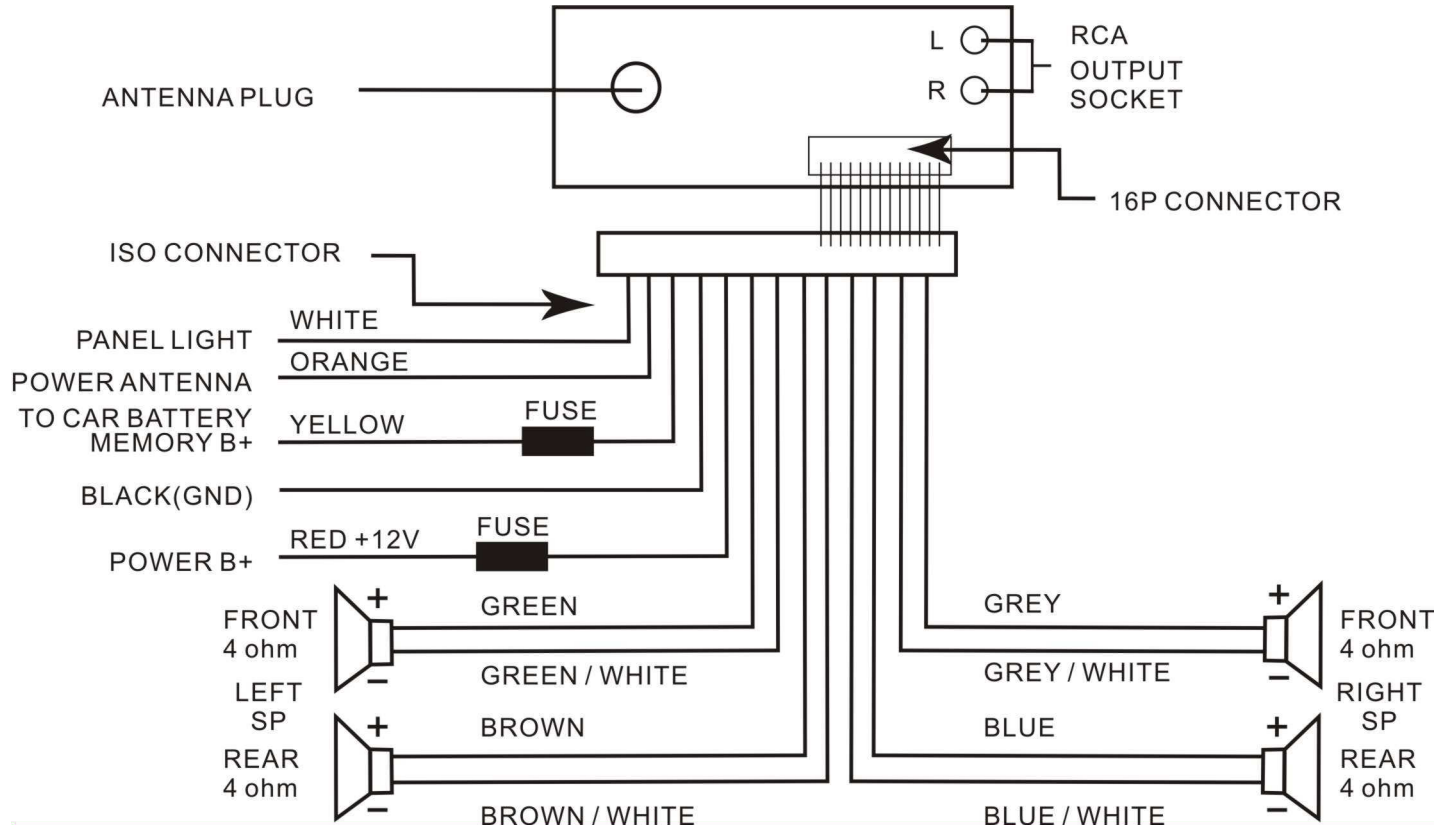
2. Screw
3. Factory radio mounting bracket.
4. Dashboard or Console
5. Hook (Remove this parts)



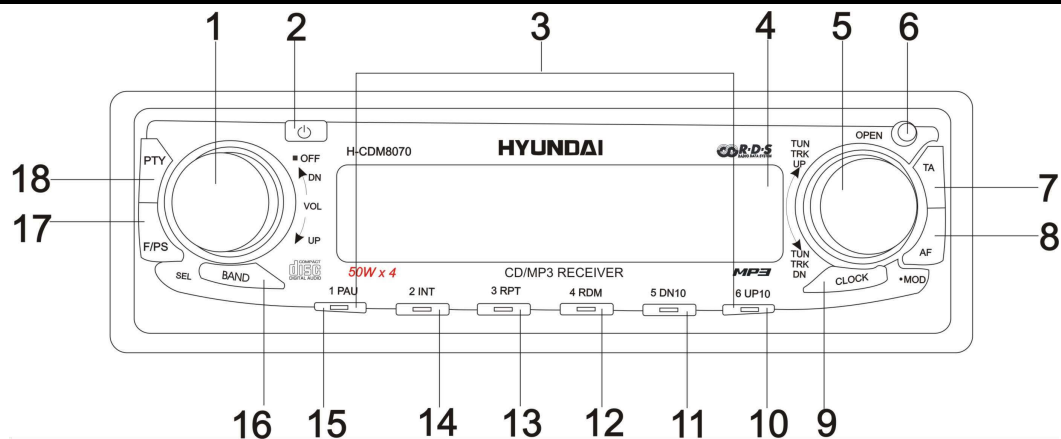
Note: The mounting box, outer trim ring, and the Half-sleeve are not used for this method of installation.



Electrical connections



Panel controls



1. V-SEL/ MENU/ ENTER (SEL); VOLUME-UP/DOWN, MENU-UP/DOWN (+/-) BUTTONS.
2. POWER BUTTON.
Press any button except the OPEN button to turn on the unit,
3. PRESET STATION [1-6] AND PLAY/PAUSE, INT, RPT, RDM BUTTONS.
4. Display
5. TUNING KNOB/UP AND DOWN KNOB
6. OPEN BUTTON.

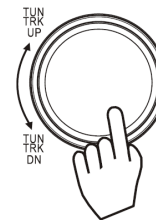
Press it to flip down the front panel and you can insert the disc into the CD compartment or press the EJ button to eject the disc from the disc compartment.

7. TA (Traffic Announcement) button.
8. AF (Alternative Frequencies) button.
9. Clock
10. Disc playback: MP3 track + 10 up.
11. Disc playback: MP3 track – 10 down.

12. Disc playback: Track random play.
13. Disc playback: Track repeat play.
14. Disc playback: Intro play (10 seconds).
15. Disc playback: Play/ Pause. Top play (press more than 2 seconds).
16. Band switch: FM1, FM2, FM3, MW1, MW2.
17. F/PS button: automatic scan/Store.
18. PTY (Program Type) button.

Menu Function

Press the POWER button to turn the unit on, the display will show a message WELCOME to indicate it is ready to use. Press the BAND for the radio mode, press MODE to select between Radio mode and CD play. Press the POWER button again to turn the unit off.



VOLUME CONTROL

A. The volume level can be adjusted at any time by rotating the audio level VOL knob as select mode has been initially defaulted at volume mode.

BASS CONTROL

A. Press the SEL button to select the bass mode until BAS appears on the display.

B. Press the VOL knob to adjust the bass effect.

TREBLE CONTROL

A. Press the SEL button to select the treble mode until TRE appears on the display.

B. Press the VOL knob to adjust the treble effect.

BALANCE CONTROL

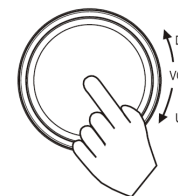
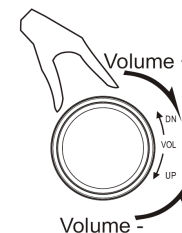
A. Press the SEL button to select the balance mode until BAL appears on the display.

B. Press the VOL knob to increase or decrease the sound level of left or right speaker.

FADER CONTROL

A. Press the SEL button to select the fader mode until FAD appears on the display.

B. Press the VOL knob to increase or decrease the sound level of front or rear speaker.



Time clock setting

Part of the RDS data is used to transmit the current time and date, therefore the clock of this radio never has to be adjusted, and will automatically set itself for summer and winter time changes.

To view the time display, press the CLK Button at any time so that the time will display on the LCD' screen.



Preset EQ function

This unit incorporates the high technology of digital equalizer preset. Press the SEL button for 2 Seconds, the Display will show TA SEEK. Continuously press the SEL button to choose the options in the MENU, until DSP OFF is displayed.

Then rotate the Volume control to choose the EQ sound effects. The display will show the sequence as follows:



After you have reached your desired effect, leave the unit idle in order for the new setting to take effect.

LOUD mode

Press the SEL button for 2 Seconds, the Display will show TA SEEK. Continuously press the SEL button to choose the options in the MENU, until LOUD OFF is displayed.

Then rotate the Volume control to choose between LOUD ON and OFF. Leave the unit idle for your desired setting to take effect.

BEEP ON/OFF mode

Press the SEL button for 2 Seconds, the Display will show TA SEEK. Continuously press the SEL button to choose the options in the MENU, until BEEP ON is displayed.

Then rotate the Volume control to choose between BEEP ON and OFF. Leave the unit idle for your desired setting to take effect.

Preset Volume level

Press the SEL button for 2 Seconds, the Display will show TA SEEK. Continuously press the SEL button to choose the options in the MENU, until VOL LAST is displayed.

In this mode the unit will be turned on with the same volume level at which the unit was shut down the last time.

You can rotate the SEL Button to choose to choose VOL ADJ. Press the SEL Button to confirm, then A-VOL will be displayed. At this time rotate the Volume Control to set the volume level you preferred. This will be the preset sound level for unit. Then every time the unit will be turned on with this volume level.

Leave the unit idle in order for the new setting to take effect

Choose Radio Band

Press the BAND button to operate the radio function. (Even when CD is playing)

Total 3 sets of FM Band (FM1, FM2, FM3)

Total 2 sets of MW Band (MW1, MW2)

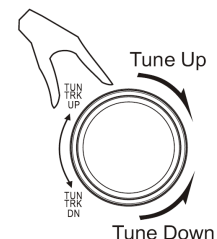
Each set of the band can be stored up to 6 preset stations, making total 30 preset memory stations.



Radio Tune/ Seek Function

In Radio Mode, rotate the volume knob to manually adjust the radio frequency.

Rotate the volume knob for more than 1 second, the radio will seek to the next up or down strong and clear frequency station. Repeat this action to seek for other desired stations.



Automatic Store / Preset Scan

(1) AUTOMATIC SCAN & STORE

Press "F/PS" button for more than 3 seconds, the receiver will automatically scan and save stations for the 3 FM bands.

(2) RESET

Press "F/PS" button for less than 1 second, the receiver will reset the station setting to the default. User has to scan and save all the stations again.



Save Your Preset Stations

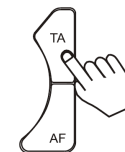
There are Six numbered preset buttons which can store and recall stations for each band. There are 5 bands and 30 available preset stations slot. 3 FM bands, F1, F2, and F3 making a total of 18 preset stations in FM band. 2MW bands, MW1 and MW2 making a total of total 12 preset stations in MW band.

RDS - EON CONTROL

This unit is equipped with the latest technology of EON control, so that when you are listening to Radio or CD, if there is any travel announcement from a nearby local station, the radio will already know the frequency of that radio station. Then it will receive the station, turn up the volume, or interrupt the playback of the cassette for the duration of the announcement. At the end of the announcement the radio will return to its previous state ready for the next announcement.

TA- TRAFFIC ANNOUNCEMENT

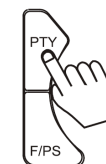
Press the TA button so that the unit will be activated for reception of traffic announcement from local radio stations. To choose the TA mode press the SEL button for 2 seconds, the Display will show TA SEEK. Rotate the Volume Control to choose between TA SEEK and TA ALARM, after choose please leave the unit idle for the mode to activate. In TA Seek mode the unit will seek for traffic announcement program when TA is pressed; in TA Alarm mode no TA/TP is displayed and alarm is set off.



PTY- PROGRAMME TYPE

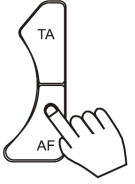
This radio will allow you to select the type of program required, and will search for a station broadcasting that type of program. Press the PTY button once to show the music type. Then press 1 –6 button to choose the different music types available.

Press the PTY button twice to show the speech type program. Then press 1 -6 button to choose the different speech type program. Each number key will show 3 different speech program for you to choose.



AF- ALTERNATIVE FREQUENCY

Press the AF button so that the unit will choose the strongest FM signal for the selected station, so that you do not have to re-tune the stations when driving between different transmitter coverage areas. When AF is on, it means RDS information is received; when AF is flashing, it means RDS information is not yet received.



MASK DPI- MASK ALL

Press the SEL button for 2 Seconds, the Display will show TA SEEK. Continuously press the SEL button to choose the options in the MENU, until MASK DPI is displayed. Then rotate the Volume control to choose between MASK DPI and MASK ALL mode. Leave the unit idle for your desired setting to take effect. During MASK DPI mode the unit will mask only the AF which has different PI, this is the default mode; during MASK ALL mode, the unit will mask the AF which has different PI and no RDS signal with high field strength.

SEEK MODE SELECT

Press the SEL button for 2 Seconds, the Display will show TA SEEK. Continuously press the SEL button to choose the options in the MENU, until SEEK is displayed.

Then rotate the Volume control to choose between SEEK MODE 1 and 2. Leave the unit idle for your desired setting to take effect.

SEEK1 : When you hold the tune +/- button, the unit search and stop for the next station with strong signal. This is the default mode.

SEEK2 : When you hold the tune +/- button, the unit will not stop for any station until you release the key.

LOCAL/ DISTANCE RECEPTION

Press the SEL button for 2 Seconds, the Display will show TA SEEK. Continuously press the SEL button to choose the options in the MENU, until LOCAL is displayed.

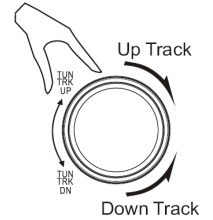
Then rotate the Volume control to choose between LOCAL and Distance (DX). Leave the unit idle for your desired setting to take effect.

Track - Forward / Fast Forward

Rotate the knob to advance disc to the next track, the track numbers will be shown on the LCD display. Rotate and hold the knob to fast forward. Disc will play normal when the button is released.

Tracks - Backward / Fast Backward

Rotate the knob to backward disc to the previous track, the track numbers will be shown on the LCD display. Rotate and hold the knob to fast backward. Disc will play normal when the button is released.



Pause : Pause The Cd Play

Press this button to pause the CD. Press this key again to clear this mode.

Scan : Preview Track From Disc

Press this button to play the first 10 seconds or each track. Press this key again to clear this mode.

Repeat : Repeat The Same Track

Press this button to repeat the same track continuously. "RPT ON." will appear on the display. Press this key again to stop repeating.

Random : Play In Random Order

Press this button to play all the tracks in random order. "RDM ON" will appear on the display. Press this key again to stop random play.

CD Electronic Shock Protection 12 or 45 seconds

The electronic shock protection is ideal for driving uneven road.

Press the Sound Select button for 2 seconds, the display will show "DSP OFF". Press the button again so that "ESP 12" will be shown on the display indicating that Electronic Shock Protection for 12 seconds will be activated.

When the display shows "ESP 12", rotate the volume knob so that the setting will be changed to "ESP 45", indicating that Electronic Shock Protection for 45 seconds is activated. Please leave the unit idle for the new setting to take effect.

MP3 Play back

MP3 Electronic Shock Protection

This unit is built-in with 120 seconds of electronic shock protection for Mp3 so that you can better enjoy your music.

MP3 TRACK SEARCH

This unit is capable of displaying ID3 tag which is used in MP3 operation. When the CD media is playing the unit will show the information of folder, file name, song name, artist name and album name for you to better enjoy the music. You can make use of the 4 search modes to play your favorite Mp3 songs.

(1) ORDINARY SEARCH

Press the up/down track button to choose your song. Press the 5 and 6 button to advance 10 songs up/down.

(2) TRACK SEARCH

Press the "F/PS" Button and the display will show "TRK SCH". At this moment, press the Sound Select Button so that "TRK" Will blink on the display. Then rotate the encoder volume to choose your desired track and press the sound select button all the way down to confirm the track. The input track will be searched and play.

(3) FILE SEARCH

Press the "F/PS" Button twice and the display will show "FILE SCH". At this moment, press the Sound select button so that the current folder will be shown. Rotate the encoder volume to choose your desired folder and press all the way down to confirm. The input folder will be searched and play.

(4) CHARACTER SEARCH

Press the "F/PS" Button for three times and the display will show "CHAR SCH". This is for searching the computer file names of the Mp3 songs. At this moment, press the Sound Select Button so that the letters will blink on the display. Rotate the knob to select the character and press once to advance to the next. After you have input the name, press the select button all the way down to confirm. The song nearest to your input name will be searched and play.

MP3 Overview

Notes on MP3

- MP3 is short for MPEG Audio Layer 3 and refers to an audio compression technology standard.
- This product allows playback of MP3 files on CD-ROM, CD-R or CD-RW discs.
- The unit can read MP3 files written in the format compliant with ISO 9660. However it does not support the MP3 data written by the method of packet write.
- The unit can not read an MP3 file that has a file extension other than “.mp3”.
- If you play a non- MP3 file that has the “.mp3” extension, you may hear some noise.
- In this manual, we refer to what are called “MP3 file” and “folder” in PC terminology as “track” and “album”, respectively.
- Maximum number of directory level is 8, including the root directory. Maximum number of files and folders per disc is 256.
- The unit may not play tracks in the order of Track numbers.
- The unit plays only the audio tracks if a disc contains both audio tracks and MP3 files.
- When playing a disc of 8 kbps or “VBR”, the elapsed playing time in the display window will not be correct and also the intro play may not function properly. “VBR”: Variable Bit Rate.

Notes on creating your own CD-Rs or CD-RWs containing MP3 files

- To enjoy high quality sound, we recommend converting to MP3 files with a sampling frequency of 44.1 kHz and a fixed bit rate of 128 kbps.
- DO NOT store more than 256 MP3 files per disc.
- For ISO 9660 - compliant format, the maximum allowable depth of nested folders is 8, including the root directory (folder).
- When CD-R disc is used, playback is possible only for discs, which have been finalized.
- Make sure that when MP3 CD-R or CD-RW is burned that it is formatted as a data disc and NOT as an audio disc.
- You should not write non-MP3 files or unneeded folders along with MP3 files on the disc otherwise it takes a long time until the unit starts to play MP3 files.
- With some CD-R or CD-RW media, data may not be properly written depending on their manufacturing quality. In this case, data may not be reproduced correctly. High quality CD-R or CD-RW disc is recommended.

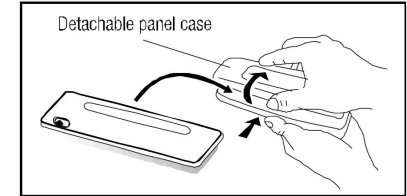
- Up to 16 characters are displayed for the name of an Album or a Track. ID3TAG version 1.x is required.
- Note that the unit may not play Tracks in the order that you wrote them to the disc.

Anti-Theft System

This unit is equipped with a slide-down detachable panel. Removing this panel makes the radio totally inoperable.

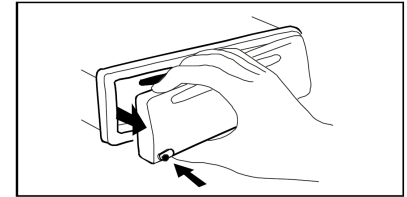
Place the detachable panel into the case.

1. Switch off the power of the unit.
2. Remove the detachable panel.
3. Gently press the button of the case and open the cover.
4. Place the panel into the case and take it with you when you leave the car.



Install Detachable panel

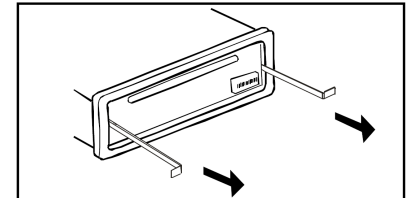
1. Fix right part of face plate I the right part of panel slot of the unit.
2. Press down the left side of the face plate until it clicks into the panel slot of the unit.



Remove the unit

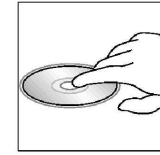
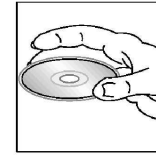
Switch off the power of the unit.

1. Remove the panel and the trim plate.
2. Insert both L-Keys into the hole on the front of the set until they lock.
3. Pull out the unit.



Handling compact discs

- Dirty, scratched or warped discs may cause skip ping or noise.
- Handle the disc only by the edges. To keep clean do not touch its surface.
- Discs should be stored in their cases after use to avoid scratches.
- Do not expose discs to direct sunlight, high humidity, high temperature or dust.
- Prolonged exposure to extreme temperature can warp the disc (such as leaving the discs in your car during summertime).
- Do not stick or write anything on either side of disc. Sharp writing instruments, or the inks used in some felt-tip pens, may damage its surface.
- DO NOT touch the unlabeled side.
- DO NOT attach any seal, label or data protection sheet to either side of a disc.
- This unit cannot play 3-inch (8 cm) CDs.
- Never insert a 3-inch CD contained in the adapter or an irregularly shaped CD. The unit may not be able to eject it, resulting in a malfunction.



Cleaning

1. Cleaning the cabinet

Wipe with a soft cloth. If the cabinet is very dampen (not dropping wet) the cloth with a weak solution of soapy water, and then wipe clean.

2. Cleaning discs

Fingerprints should be carefully wiped from the surface of disc with a soft cloth. Unlike conventional records, compact discs have no grooves to collect dust and macroscopic dirt, so gently wiping them with a soft cloth should remove most panicles. Wipe in a straight motion from the center to the edge.

Never use thinner benzine, record cleaner or anti static spray on a compact disc. Such chemicals can damage its plastic surface.



Components

1. Nut 5 mm	1 pc
2. Spring washer	2 pcs
3. Screw M5x25 mm	1 pc
4. Screw	1 pc
5. Plain washer	2 pcs
6. Strap	1 pc
7. Operating instructions	1 pc.
8. Key	2 pcs.
9. Mounting collar	1 pc.
10. Wire connector	1 pc.
11. Removable face plate case	1 pc.
12. Trim plate	1 pc.

Troubleshooting guide

<p>General No power or no sound</p>	<p>Car's engine switch is not on. Turn your car's key to ACC or ON. Cable is not correctly connected. Check connection. Fuse is burnt. Replace fuse. Check volume or mute on / off. If above solutions cannot help, press the RESET button.</p>
<p>Disc Disc is inside but no sound</p>	<p>Disc is upside down. Place disc in the correct direction, and the label side up. Disc is dirty or damaged. Clean disc or change another disc.</p>
<p>Disc sound skips, tone quality is low</p>	<p>Disc is dirty or damaged. Clean CD or change another CD.</p>
<p>Sound skips due to vibration</p>	<p>Mounting angle is over 30°. Adjust mounting angle to less than 30°. Instable mounting. Mount the unit securely with the mounting parts.</p>
<p>Radio Much noise in broadcasts</p>	<p>Station is too far, or signals are too weak. Select other stations of higher signal level.</p>
<p>Preset station is reset</p>	<p>Battery cable is not correctly connected. Connect the battery cable to the terminal that is always live.</p>
<p>Error display messages</p>	<p>NO FILE: Disc is not CD or contains no MP3 files. ERR-7: Disc upside down. ERR-10: Recovery error, check the disc. ERR-11: MP3 error, check the disc. ERR-3: ERR-4: Disc mechanism error. Press ▲ button to eject the disc. In case that the disc cannot be ejected by pressing ▲ button, press the RESET switch and press the▲ button again. If still not ejecting consult your dealer.</p>

Specification

General. Power supply:	12V DC (11V-16V), Test voltage 14.4V, negative ground
Maximum power output:	50Wx4 channels
Rated power output (RMS):	25Wx4 channels (4 Ω 10% T.H.D.)
Suitable speaker impedance:	4-8 ohm
Pre-Amp output voltage:	2.0V(CD play mode: 1KHz, 0 dB, 10 K Ω load)
Fuse:	10A/5A
Dimensions (WxHxD) / Weight	178 x 50 x 162 mm / 1.7 kg
ESP:	CD (40s), MP3 (120s)
FM Stereo Radio. Frequency range:	87.5 - 108.0 MHz
Usable sensitivity: quieting sensitivity (S/N=50dB):	8 dB μ / 12 dB μ
Frequency response/ Stereo separation:	30 Hz-15kHz/ 30dB (1kHz)
Image response ratio/IF response ratio:	50dB / 70dB
Signal/noise ratio:	65dB
MW(AM) Radio. Frequency range:	522-1620 kHz
Usable sensitivity(S/N=20dB):	30 dB μ
Disc Player. System:	Disc digital audio system
Frequency response:	20 Hz - 20 kHz
Signal/noise ratio:	>80 dB
Total harmonic distortion:	Less than 0.2 %(1 kHz)
Wow and flutter:	Below measurable limits
Channel separation:	>55 dB

Specifications are subject to change without notice. Mass and dimension are approximate.

Уважаемый покупатель!

Благодарим Вас за покупку нашего изделия. Для обеспечения безопасности рекомендуется тщательно изучить настоящее руководство перед подключением, эксплуатацией и/или регулировкой изделия и сохранить руководство для использования в будущем.

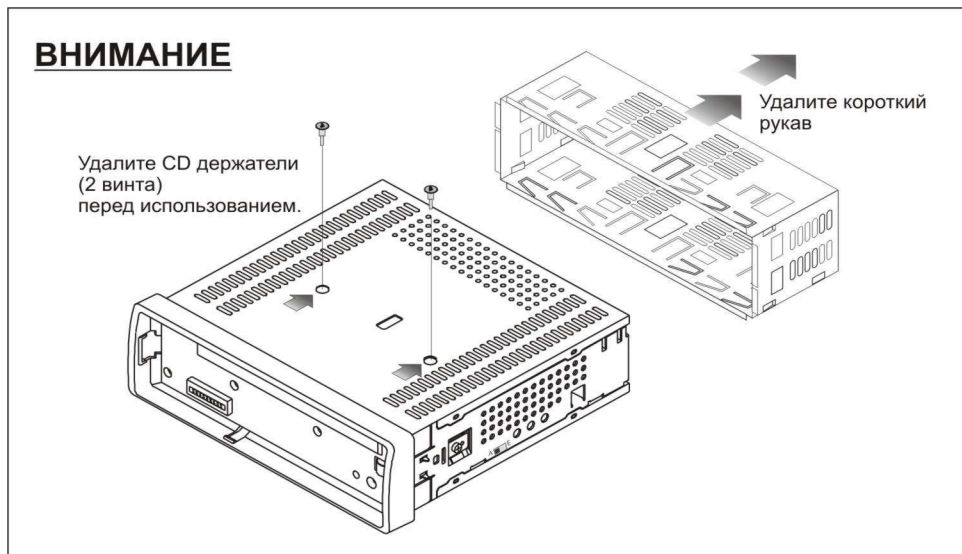
Содержание

Содержание.....	23
Меры предосторожности.....	24
Установка / подключение.....	25
Органы управления панели.....	29
Функции меню.....	31
Воспроизведение MP3.....	38
Обзор MP3.....	39
Система защиты от воров.....	40
Обращение с компакт-дисками.....	41
Чистка и уход.....	42
Комплектация.....	42
Руководство по устранению неисправностей.....	43
Технические характеристики.....	44

Меры предосторожности

- Тщательно изучите настоящую инструкцию, чтобы ознакомиться с высококачественной аудиосистемой.
- Используйте только в электрической цепи с постоянным током 12В.
- При установке и подключении изделия отключите отрицательную клемму аккумулятора автомобиля.
- При замене предохранителя убедитесь, что вы устанавливаете предохранитель с тем же номиналом. Используя предохранитель с повышенным значением тока, можно нанести значительные повреждения изделию.
- Не пытайтесь разбирать изделие. Лазерные лучи, исходящие из блока оптической головки считывания информации с компакт-диска, опасны для глаз.
- Убедитесь, что шпильки или другие посторонние предметы не попали внутрь изделия. Они могут вызвать сбой в работе или стать причиной опасности, такой как поражение электрическим током или лазерным лучом.
- Если вы ставите автомобиль на стоянку на длительное время в жаркое или холодное время года, подождите, пока температура в автомобиле не станет нормальной, перед тем как включать изделие.
- Устанавливайте уровень звука таким, чтобы слышать исходящие снаружи предупредительные сигналы (звуковые сигналы автомобилей и т.п.).
- НЕ открывайте крышки и не проводите ремонт самостоятельно. Обратитесь к дилеру или квалифицированному персоналу
- Убедитесь, что источник питания и антенна отключены во время грозы или в случае, если системой не пользуются в течение длительного времени.
- Убедитесь, что источник питания отключен, если обнаружена неправильная работа системы, система издает необычные звуки, запах, выделяет дым или внутрь ее попала жидкость. Проведите квалифицированный технический осмотр системы.
- НЕ устанавливайте слишком высокий уровень громкости, поскольку это блокирует внешние звуки, делая вождение опасным.
- Остановите автомобиль перед выполнением сложных операций.

Установка / подключение

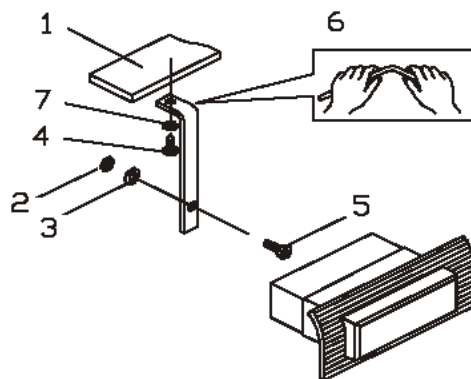


Первый вариант установки

- После установки кожуха автомагнитолы в приборную панель автомобиля выберите на кожухе те металлические язычки, которые соответствуют толщине приборной панели, и отогните их, чтобы зафиксировать кожух на месте.



1. Приборная панель автомобиля
2. Гайка (5мм)
3. Пружинная шайба
4. Винт (5 x 25мм)
5. Винт
6. Металлическая планка
7. Плоская шайба



Съем автомагнитолы

- Вставьте пальцы в выемки на передней стороне рамки и вытяните рамку на себя. (При установке декоративной рамки на место направьте сторону с выемками вниз и установите рамку.)
- Вставьте съемники, входящие в комплект автомагнитолы, в пазы на обеих сторонах устройства, как показано на рисунке, чтобы они зафиксировались со щелчком. Для того, чтобы вынуть автомагнитолу из приборной панели автомобиля, потяните за съемники на себя.



Второй вариант установки

Данный вариант установки предусматривает использование резьбовых отверстий, которые находятся на боковых панелях автомагнитолы.

Закрепите автомагнитолу на крепежных кронштейнах штатного радиоприемника.

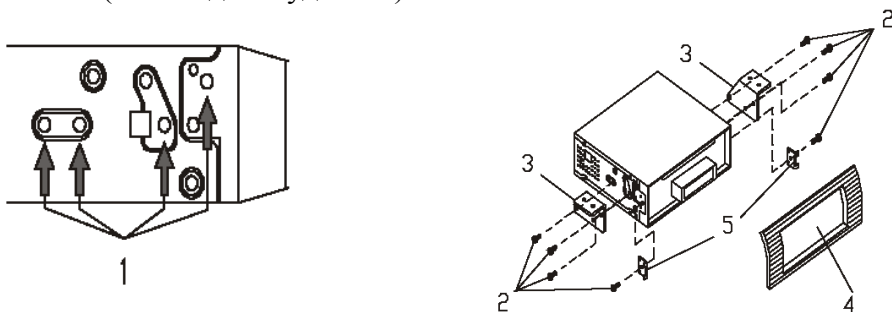
1. Выберите положение кронштейнов, при котором будут совмещены резьбовые отверстия на кронштейнах и резьбовые соединения на корпусе автомагнитолы. Закрепите кронштейны с обеих сторон автомагнитолы не менее чем в двух местах. Для этого используйте либо крепежные винты (5 x 8 мм), либо винты с потайной головкой (4 x 8 мм), в зависимости от типа резьбовых отверстий на кронштейне.

2. Винт.

3. Крепежные кронштейны штатного радиоприемника.

4. Приборная панель или консоль автомобиля.

5. Скоба (необходимо удалить).



Примечание:

При установке автомагнитолы по второму методу кожух, декоративная внешняя рамка и металлическая планка не используются.

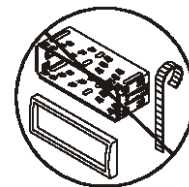
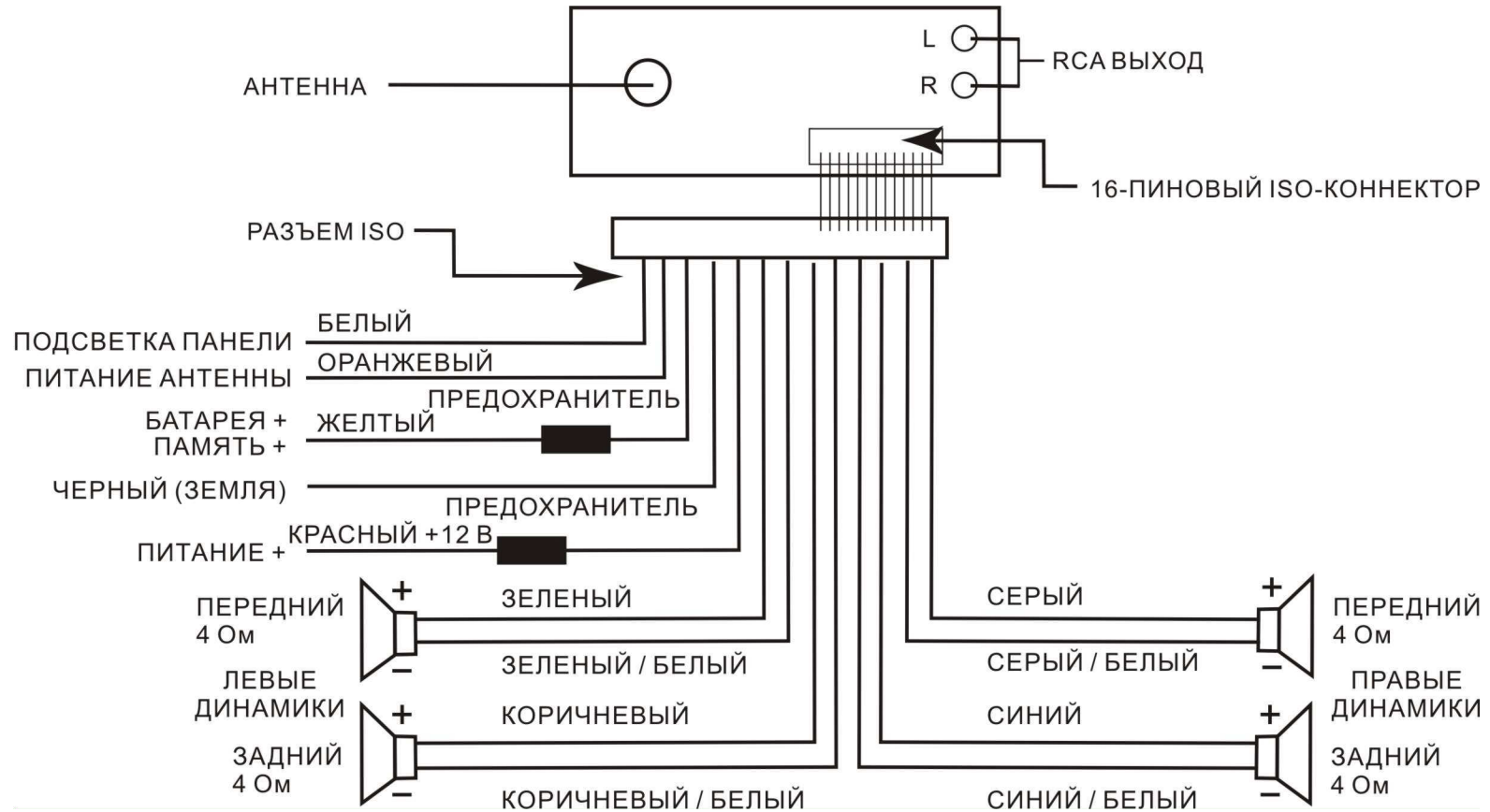
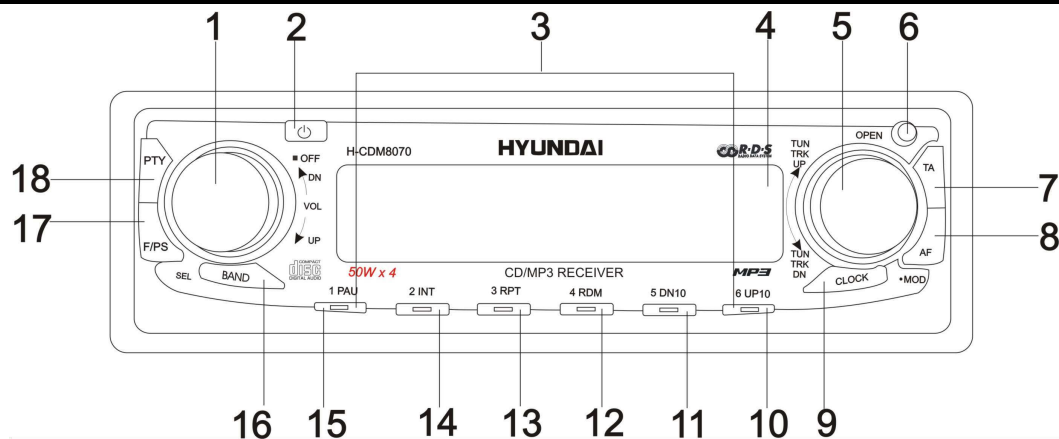


Схема электрических соединений



Органы управления панели



1. КНОПКИ V-SEL/ MENU/ ENTER(SEL) И VOLUME -UP/DOWN, MENU-UP/DOWN(+/-).
2. КНОПКА ПИТАНИЯ

Нажмите любую кнопку, за исключением EJECT и OPEN, для включения прибора. Нажмите и удерживайте кнопку PWR в течение более 0,5 секунд для выключения прибора.

3. Предварительные установки радио.

Нажмите для настройки на предварительно установленную станцию.

Удержите в течение не менее 2 секунд, чтобы сохранить станцию.

4. Дисплей.
5. НАСТРОЙКА СТАНЦИЙ/ КНОПКИ ВВЕРХ И ВНИЗ
6. КНОПКА OPEN.

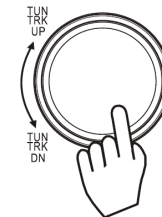
Нажмите ее, чтобы откинуть переднюю панель и иметь возможность вставить диск в отсек CD или нажмите кнопку EJECT для извлечения диска из отсека диска или удаления передней панели.

7. КНОПКА TA (ДОРОЖНЫХ ОБЪЯВЛЕНИЙ).
8. КНОПКА AF (АЛЬТЕРНАТИВНЫЕ ЧАСТОТЫ).

9. Часы
10. Дорожка MP3 +10 вверх.
11. Дорожка MP3 –10 вниз.
12. Произвольное воспроизведение композиции.
13. Повторное воспроизведение композиции.
14. Ознакомительное воспроизведение (10 секунд).
15. Воспроизведение/пауза. Для перехода к верхней дорожке нажмите и удерживайте в течение более 2 секунд.
16. Переключатель диапазона: FM1, FM2, FM3, MW1, MW2.
17. Кнопка F/PS: автоматическое сканирование/сохранение
18. КНОПКА RTU (ТИП ПРОГРАММЫ).

Функции меню

Нажмите кнопку POWER для включения изделия, на дисплее появится WELCOME, это значит, изделие готово к работе. Нажмите кнопку BAND для выбора режима, нажмите кнопку MODE для выбора режима Radio и воспроизведения CD/MP3. Нажмите кнопку POWER снова для выключения изделия.



Регулировка громкости

А. Уровень звука может быть отрегулирован с помощью вращения кнопки VOL, по умолчанию при нажатии кнопки SEL появляется данный режим.

Регулировка басов

А. Нажмите кнопку SEL для выбора регулировки басов, на дисплее появится надпись BAS.

В. Вращением кнопки регулировки отрегулируйте басы.

Регулировка низких частот

А. Нажмите кнопку SEL для выбора регулировки низких частот, на дисплее появится надпись TRE.

В. Вращением кнопки регулировки отрегулируйте низкие частоты.

Регулировка баланса

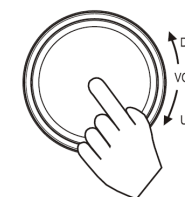
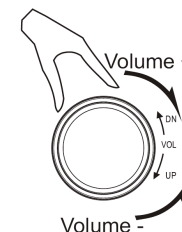
А. Нажмите кнопку SEL для выбора регулировки баланса, на дисплее появится надпись BAL.

В. Вращением кнопки регулировки отрегулируйте громкость правого и левого динамиков.

Регулировка фейдера

А. Нажмите кнопку SEL для выбора регулировки фейдера, на дисплее появится надпись FAD.

В. Вращением кнопки регулировки отрегулируйте громкость передних и задних динамиков.



Установка часов

Дата и время передаются в составе RDS информации, поэтому Вам нет необходимости вручную выставлять время и дату. Время автоматически обновляется в связи с переходом на зимнее и летнее время.

В любое время нажмите кнопку CLK, чтобы посмотреть текущее время.



Установки эквалайзера

В данном изделии есть возможность настроить цифровой эквалайзер на нужный режим.

Нажмите и удерживайте кнопку SEL в течение 2 секунд, на дисплее отобразится TA SEEK. Нажмите и удерживайте кнопку SEL для выбора опции в МЕНЮ, пока на дисплее не отобразится DSP OFF. Затем вращайте кнопку регулировки для выбора эффекта эквалайзера. На дисплее отобразится

POP → ROCK → CLASSIC → FLAT → DSP OFF
↑

После выбора режима оставьте изделие, чтобы изменения сохранились.

Режим LOUD

Нажмите и удерживайте кнопку SEL в течение 2 секунд, на дисплее отобразится TA SEEK. Нажмите и удерживайте кнопку SEL для выбора опции в МЕНЮ, пока на дисплее не отобразится LOUD OFF. Затем вращайте кнопку регулировки для выбора режима LOUD ON или OFF. После выбора режима оставьте изделие, чтобы изменения сохранились.

Режим BEEP ON/OFF

Нажмите и удерживайте кнопку SEL в течение 2 секунд, на дисплее отобразится TA SEEK. Нажмите и удерживайте кнопку SEL для выбора опции в МЕНЮ, пока на дисплее не отобразится BEEP ON. Затем вращайте кнопку регулировки для выбора режима BEEP ON или OFF. После выбора режима оставьте изделие, чтобы изменения сохранились.

Предварительная настройка громкости

Нажмите и удерживайте кнопку SEL в течение 2 секунд, на дисплее отобразится TA SEEK. Нажмите и удерживайте кнопку SEL для выбора опции в МЕНЮ, пока на дисплее не отобразится VOL LAST.

В данном режиме при включении изделия громкость будет на том уровне, на котором она была при предыдущем выключении изделия.

Затем вращайте кнопку SEL для выбора режима VOL ADJ. Нажмите кнопку SEL для подтверждения, на дисплее отобразится A-VOL. Вращайте кнопку регулировки для настройки уровня громкости. Это будет предварительно настроенный уровень громкости. Теперь при включении изделия уровень громкости будет таким, каким Вы его настроили.

После выбора режима оставьте изделие, чтобы изменения сохранились.

Выбор диапазона радио

Нажмите кнопку BAND для установки параметров радиоприемника. (Можно и из режима воспроизведения CD)

Доступны 3 FM поддиапазона (FM1, FM2, FM3)

Доступны 2 MW поддиапазона (MW1, MW2)

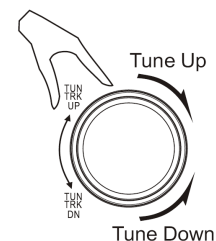
В каждом поддиапазоне Вы можете сохранить по 6 станций в память, всего 30 станций.



Поиск и настройка радио

В режиме радио вращайте кнопку регулировки для ручной настройки частоты радио.

Вращайте кнопку регулировки, приемник настроится на следующую или предыдущую станцию с сильным сигналом. Повторите действия для поиска других радиостанций.



Автоматическое сохранение/ Предварительная настройка



(1) Автоматическое сканирование и сохранение

Нажмите кнопку "F/PS" более 3 секунд, приемник автоматически просканирует диапазон и сохранит станции для FM диапазона.

(2) Сброс

Нажмите кнопку "F/PS" менее 1 секунды, приемник сбросит настройки станций. Вам необходимо снова настроить станции.

Сохранение настроенных станций.

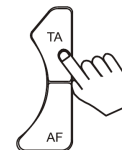
На панели изделия есть 6 кнопок, с помощью которых Вы можете сохранить и включать радиостанции в каждом диапазоне. Доступно 5 поддиапазонов и 30 предварительно настроенных станций. 3 FM поддиапазона, F1, F2 и F3 – это 18 предварительно настроенных станций в FM диапазоне. 2 MW поддиапазона, MW1 и MW2 – это 12 предварительно сохраненных станций в MW диапазоне.

RDS – КОНТРОЛЬ EON

При прослушивании радио или CD диска, если на приемник поступит информация о дорожном движении от ближайшей радиостанции, приемник запомнит частоту этой радиостанции. Затем он настроится на эту частоту, увеличит громкость и прервет прослушивание текущей радиостанции или диска, чтобы Вы могли прослушать полученную информацию. После этого приемник вернется к предыдущему состоянию.

ТА- ОБЪЯВЛЕНИЯ О ДОРОЖНОМ ДВИЖЕНИИ

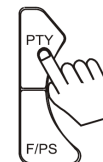
Нажмите кнопку TA для входа в режим приема информации о дорожном движении от местных радиостанций. Нажмите и удерживайте кнопку SEL в течение 2 секунд, на дисплее отобразится TA SEEK. Вращайте кнопку регулировки для выбора опции TA SEEK или TA ALARM. После выбора режима оставьте изделие, чтобы изменения сохранились. В режиме TA Seek изделие будет принимать информацию о дорожном движении при нажатии кнопки TA, в режиме TA Alarm на дисплее отобразится «по TA/TR» и режим будет выключен.



PTY- ТИП ПРОГРАММЫ

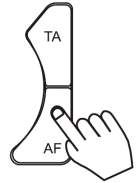
Данное изделие позволяет Вам выбирать нужный тип программы. Приемник будет искать и настраиваться на нужный тип программы. Нажмите кнопку PTY один раз, чтобы отобразить режим воспроизведения музыки. Затем нажмите кнопки 1-6 для выбора другого режима воспроизведения музыки.

Нажмите кнопку PTY два раза, чтобы отобразить тип программы вещания. Нажмите кнопки 1-6 для выбора другого типа программы. Нажатие каждой кнопки позволяет Вам выбрать 3 различных типа программы вещания.



АФ- АЛЬТЕРНАТИВНАЯ ЧАСТОТА

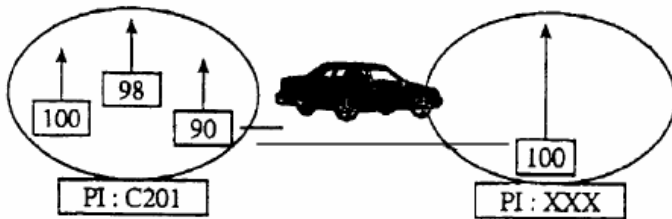
Нажмите кнопку АФ, чтобы приемник принимал максимально сильный сигнал от данной радиостанции. Тогда Вам не придется перенастраиваться на нужную станцию при пересечении границ областей вещания соседних передатчиков. Если на дисплее горит АФ, это значит, что принимается информация о дорожном движении, если АФ мигает, значит, информация еще не принята.



РЕЖИМ МАСКИ - MASK DPI- MASK ALL

Нажмите и удерживайте кнопку SEL в течение 2 секунд, на дисплее отобразится TA SEEK. Нажмите и удерживайте кнопку SEL для выбора опции в МЕНЮ, пока на дисплее не отобразится MASK DPI. Затем вращайте кнопку регулировки для выбора режима MASK DPI или MASK ALL. После выбора режима оставьте изделие, чтобы изменения сохранились.

Когда для станции, например, С201 включен режим, разрешающий переключение на альтернативную частоту (АФ), радиоприемник может переключиться на частоту 100 МГц, которая не является подлинной частотой АФ, а занята другой радиостанцией с другим значением PI, но с той же АФ.



Если автомобиль перемещается в критической зоне, может появиться эффект частого переключения между двумя разными радиостанциями, потому что может быть принят другой код PI на частоте 100 МГц с PI "XXX".

Радиоприемник CD-ресивера имеет специальную процедуру, направленную на снижение данного неизбежного эффекта, которая, однако, из-за определенных собственных ограничений в некоторых случаях не позволяет решить данную проблему. Радиоприемник в таком случае прекращает искать альтернативную частоту АФ в течение некоторого времени. В этой ситуации радиоприемник будет маскировать сигнал ошибочно принимаемой радиостанции, в зависимости от выбранной

опции:

Режим MASK DPI. Маскируется только станция AF, которая передает сигналы RDS, но имеет другой PI (код идентификации программы).

Режим MASK ALL. Маскируется станция AF, которая имеет другой PI или не передает сигналы RDS вовсе.

РЕЖИМ SEEK

Нажмите и удерживайте кнопку SEL в течение 2 секунд, на дисплее отобразится TA SEEK. Нажмите и удерживайте кнопку SEL для выбора опции в МЕНЮ, пока на дисплее не отобразится SEEK.

Затем вращайте кнопку регулировки для выбора режима SEEK 1 и 2. После выбора режима оставьте изделие, чтобы изменения сохранились.

SEEK 1: найденная станция отключится при приеме следующей станции. Это режим по умолчанию.

SEEK 2: найденная станция отключится, если отпущена кнопка **◀◀** или **▶▶**, и принята следующая станция.

LOCAL/ DISTANCE RECEPTION

Нажмите и удерживайте кнопку SEL в течение 2 секунд, на дисплее отобразится TA SEEK. Нажмите и удерживайте кнопку SEL для выбора опции в МЕНЮ, пока на дисплее не отобразится LOCAL.

Затем вращайте кнопку регулировки для выбора режима LOCAL и Distance (DX). После выбора режима оставьте изделие, чтобы изменения сохранились.

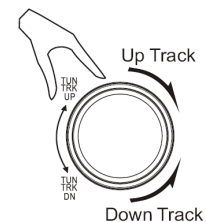
Выбор следующего трека и перемотка вперед

Вращайте кнопку регулировки для перехода к следующему треку, номер трека отобразится на дисплее.

Вращайте и удерживайте кнопку регулировки для перемотки вперед. Как только кнопка будет отпущена, воспроизведение возобновится.

Выбор предыдущего трека и перемотка назад

Вращайте кнопку регулировки для возврата к предыдущему треку, номер трека отобразится на дисплее. Вращайте и удерживайте кнопку регулировки для перемотки назад. Как только кнопка будет отпущена, воспроизведение возобновится.



Пауза

Нажмите кнопку паузы для приостановки воспроизведения. Нажмите ее снова для отмены паузы.

Сканирование: быстрый просмотр треков на диске

Нажмите эту кнопку для воспроизведения первых 10 секунд каждого трека на диске. Нажмите кнопку еще раз для отмены.

Повтор трека

Нажмите эту кнопку для повтора выбранного трека. На дисплее отобразится "RPT ON." Нажмите ее снова для отмены.

Воспроизведение в случайном порядке

Нажмите эту кнопку для воспроизведения треков на диске в случайном порядке. На дисплее отобразится "RDM ON" .
нажмите эту кнопку снова для отмены.

Электронная система стабилизации для CD (12или 45 секунд)

Электронная система стабилизации необходима при движении по неровной дороге.

Нажмите кнопку SEL в течение 2 секунд, на дисплее отобразится "DSP OFF". Нажмите кнопку SEL снова, на дисплее отобразится "ESP 12" , это означает, что выбрана система стабилизации на 12 секунд.

После этого вращением кнопки регулировки звука можно выбрать систему стабилизации на 45 секунд, на дисплее отобразится "ESP 45". Затем оставьте изделие, чтобы настройки сохранились.

Воспроизведение MP3

Электронная система стабилизации для MP3

Данное изделие рассчитано на 120 секунд электронной системы стабилизации для MP3.

Поиск трека MP3

Данное изделие может отображать ID3 теги во время воспроизведения MP3 треков. На дисплее отображается информация о папке, имени файла, имя исполнителя, имя альбома. Вы можете искать треки на диске 4 способами:

(1) ОБЫЧНЫЙ ПОИСК

Нажмите кнопки вверх/вниз для выбора трека. Нажмите кнопки 5 или 6 для перехода на 10 треков вперед или назад.

(2) ПОИСК ТРЕКА

Нажмите кнопку "F/PS" , на дисплее отобразится "TRK SCH". Нажмите кнопку SEL, надпись "TRK" на дисплее мигает. Вращайте кнопку регулировки звука для выбора трека, нажмите кнопку SEL для подтверждения выбора. Начнется воспроизведение выбранного трека.

(3) ПОИСК ПАПКИ

Нажмите кнопку "F/PS" дважды, на дисплее отобразится "FILE SCH". Нажмите кнопку SEL, появится название текущей папки. Вращайте кнопку регулировки звука для выбора папки, нажмите кнопку SEL для подтверждения выбора. Начнется воспроизведение выбранной папки.

(4) ПОИСК ПО БУКВАМ В НАЗВАНИИ ТРЕКА

Нажмите кнопку "F/PS" трижды, на дисплее отобразится "CHAR SCH". Это удобно для поиска по названию файла, так, как оно отображается в компьютере. Нажмите кнопку SEL, на дисплее замигают буквы. Вращением кнопку регулировки звука выберите букву, нажмите на кнопку для перехода к выбору следующей буквы. После того, как Вы ввели название, нажмите кнопку SEL для подтверждения. Трек, название которого близко к введенному, начнет воспроизводиться.

Обзор MP3

Замечания по MP3

- MP3 - это краткое обозначение аудио слоя MPEG 3 и относится к стандарту технологии сжатия звука.
- Данное изделие позволяет воспроизводить файлы MP3 на дисках CD-ROM, CD-R или CD-RW.
- Изделие может считывать файлы MP3, записанные в формате, соответствующем ISO 9660. Однако оно не поддерживает данные MP3, записанные методом пакетной записи.
- Изделие не может считывать файлы MP3, которые имеют расширение файла, отличающееся от “.mp3”.
- Если вы воспроизводите не MP3 файл, который имеет расширение “.mp3”, вы можете слышать некоторые шумы.
- В данном руководстве мы рассматриваем файлы, называемые “файлами MP3” и “папкой”, а в технологии PC “дорожкой” и “альбомом” соответственно.
- Максимальное количество уровней директории равно 8, включая корневую директорию. Максимальное количество файлов и папок на диске 256.
- Изделие может не воспроизводить дорожки в последовательном порядке.
- Изделие воспроизводит только аудио треки, если диск содержит как аудио треки, так и файлы MP3.
- При воспроизведении диска 8 килобит или VBR истекшее время воспроизведения в окне дисплея будет неправильным, а также ознакомительное воспроизведение может не действовать надлежащим образом. VBR: Переменная скорость передачи битов.

Замечание по созданию собственных CD-R или CD-RW, содержащих файлы MP3.

- Для получения высокого качества звука мы рекомендуем преобразовывать файлы MP3 с эталонной частотой 44,1 кГц и фиксированным битрейтом 128 кбит/сек.
- НЕ сохраняйте более 256 файлов MP3 на диске.
- Для формата, совместимого с ISO 9660, максимально допустимая глубина вложенных папок равняется 8, включая корневую директорию (папку).
- При использовании диска CD-R воспроизведение возможно только для дисков, которые были закончены.
- Убедитесь, что при записи MP3 CD-R или CD-RW были отформатированы как диски данных, а НЕ как аудио диски.
- Вы не должны записывать не-MP3 файлы или ненужные папки вместе с файлами MP3 на диск, в противном случае

потребуется много времени, пока изделие начнет воспроизводить файлы MP3.

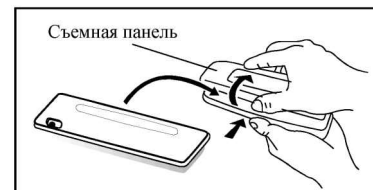
- На некоторых CD-R или CD-RW данные могут быть записаны ненадлежащим образом в зависимости от качества их производства. В этом случае данные могут быть воспроизведены ненадлежащим образом. Рекомендуются диски CD-R или CD-RW высокого качества.
- Имя альбома или композиции может содержать до 16 символов. Необходима версия 1.x ID3TAG.
- Помните, что изделие может воспроизводить треки не в том порядке, в котором они записаны на диске.

Система защиты от воров

Данное изделие снабжено сдвигаемой съемной и маскирующей панелью. Панель можно снять и взять с собой, что помогает избежать воровства.

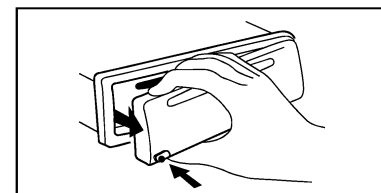
Съем панели

1. Нажмите кнопку POWER и удерживайте более 0,5 секунды для отключения питания изделия.
2. Нажмите кнопку OPEN, чтобы сдвинуть панель вниз.
3. Возьмите панель, чтобы вынуть ее, затем потяните назад кронштейн панели.
4. Поместите панель в портфель и возьмите ее с собой, когда вы покидаете автомобиль.



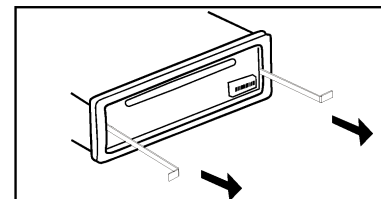
Установка панели

1. Держите панель так, чтобы ее лицевая сторона была направлена на вас, и установите левую сторону кронштейна панели.
2. Нажмите на правую сторону панели, чтобы она защелкнулась.
3. Проверьте, что панель закреплена. Сделайте это сразу же, а не перед началом работы.



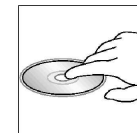
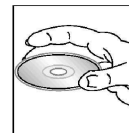
Съем изделия

1. Снимите панель.
2. Вставьте два L-образных ключа в отверстие лицевой стороны, пока не услышите щелчок.
3. Выньте изделие.



Обращение с компакт-дисками

- Грязные, поцарапанные или погнутые диски могут вызвать искажение звука или шумы
- Держите диск только за края. Чтобы обеспечить чистоту, не прикасайтесь к его поверхности.
- Диски должны храниться в их чехлах после использования, чтобы не поцарапать их поверхность.
- Не подвергайте диски действию прямого солнечного света, повышенной влажности, повышенным температурам или действию пыли.
- Продолжительное влияние предельных температур может изогнуть диск (например, пребывание дисков в автомобиле в летнее время).
- Не царапайте и не пишите что-либо на любой стороне диска. Острые пишущие инструменты или чернила, используемые в них, могут повредить поверхность диска.
- НЕ ПРИКАСАЙТЕСЬ к стороне, не имеющей маркировки.
- НЕ ПРИКРЕПЛЯЙТЕ какую-либо печать, этикетку или лист предохранения данных к любой стороне диска.
- Данное изделие не может воспроизводить CD размером 3 дюйма (8 см).
- Никогда не вставляйте CD размером 3 дюйма, установленный в адаптер, или CD неправильной формы. Изделие не сможет выбросить его, что приведет к сбою.



Чистка и уход

Чистка корпуса

Протирайте мягкой тканью. Если корпус очень загрязнен (не мочите его), используйте ткань, слегка смоченную мыльным раствором, и затем вытрите его сухой тканью.

Чистка дисков

а) Отпечатки пальцев должны быть тщательно стерты с поверхности диска мягкой тканью. В отличие от обычных пластинок, компакт-диски не имеют канавок для сбора пыли и микроскопических частиц грязи, поэтому осторожно вытирайте их мягкой тканью, чтобы убрать частицы грязи. Вытирайте прямолинейным движением от центра к краю.

б) Никогда не используйте растворитель, бензин, очиститель пластинок или антистатический аэрозоль для чистки дисков. Такие химические вещества могут повредить его пластиковые поверхности.



Комплектация

Гайка 5 мм	1 шт.
Пружинная шайба	2 шт.
Винт (5x25 мм)	1 шт.
Винт	1 шт.
Плоская шайба	2 шт.
Металлическая планка	1 шт.
Инструкция по эксплуатации	1 шт.
Ключ	2 шт.
Установочная втулка	1 шт.
Разъем	1 шт.
Съемный корпус лицевой панели	1 шт.
Декоративная панель	1 шт.

Руководство по устранению неисправностей

Общие Нет питания или нет звука	Двигатель автомобиля не заведен. Установите ключ автомобиля в положение ACC или ON. Кабель подключен неправильно. Проверьте подключение. Сгорел предохранитель. Замените предохранитель. Проверьте, включен или выключен звук.
Диск Диск вставлен, но звука нет.	Диск перевернут. Установите диск правильно, этикеткой вверх. Диск загрязнен или поврежден. Очистите диск или замените его.
Звук искажен, низкое качество звучания.	Диск загрязнен или поврежден. Очистите диск или замените его.
Звук искажается в результате вибраций.	Угол установки более 30 °, установите угол менее 30 ° Ненадежная установка. Установите изделие надежно при помощи установочных деталей.
Радио Сильные шумы при приеме	Станция расположена слишком далеко, или сигнал слишком слабый. Выберите другие станции с высоким уровнем сигнала.
Предварительно установленная станция сбрасывается.	Аккумулятор подключен неправильно. Подключите кабель аккумулятора к клемме, которая всегда находится под напряжением.
<u>Представляются</u> <u>сообщения об ошибке</u>	NO FILE: Диск не является диском CD или не содержит файлов MP3. ERR-7: Диск перевернут. ERR-10: Ошибка восстановления. Проверьте диск. ERR-11: Ошибка MP3. Проверьте диск. ERR-3: ERR-4: Ошибка дискового механизма. Нажмите кнопку ▲ для извлечения диска. Если диск невозможно вынуть нажатием кнопки ▲, нажмите переключатель RESET и нажмите кнопку ▲ вновь. Если диск все равно не вынимается, обратитесь к продавцу изделия.

Технические характеристики

Общие Источник питания	12 В, постоянное (11 В – 16 В) Испытательное напряжение 14,4 В, заземление минуса.
Максимальная выходная мощность:	50 Вт x 4 канала
Номинальная выходная мощность (RMS):	25 Вт x 4 канала (4 Ω 10 % T.H.D.)
Требуемый импеданс динамика/ Предохранитель:	4 – 8 Ом /10 А/5 А
Выходное напряжение	2.0 В (режим воспроизведения CD: 1 кГц, 0 дБ, 10 К Ω нагрузка)
Размеры (Ш x В x Д)/ Вес:	178 x 50 x 162 мм / 1.7 кг
ESP:	CD (40с), MP3 (120с)
Сtereo FM радио. Частотный диапазон:	87.5 – 108.0 МГц
Используемая чувствительность (С/Ш = 50 дБ) / Пороговая чувствительность	8 дБ / 12 дБ
Частотный отклик:	30 Гц – 15 кГц
Разделение стерео / Отношение отклика изображения	30 дБ (1 кГц) / 50 дБ
Отношение отклика IF/ Отношение сигнал/шум:	70 дБ / 65 дБ
AM радио. Частотный диапазон:	522-1620 кГц
Используемая чувствительность(С/Ш = 20 дБ):	30 дБ
Плеер дисков. Система:	Дисковая цифровая аудио система
Частотный отклик / Отношение сигнал/шум:	20 Гц- 20 кГц / > 80 дБ
Общее искажение гармоник/ Детонация и искажение:	Менее 0.2 % (1 кГц) / Ниже пределов измерения
Разделение каналов:	> 55 дБ



АЯ 46

**Технические характеристики могут быть изменены заводом-изготовителем без предварительного уведомления.
Указанные масса и геометрические размеры имеют приблизительные значения.**